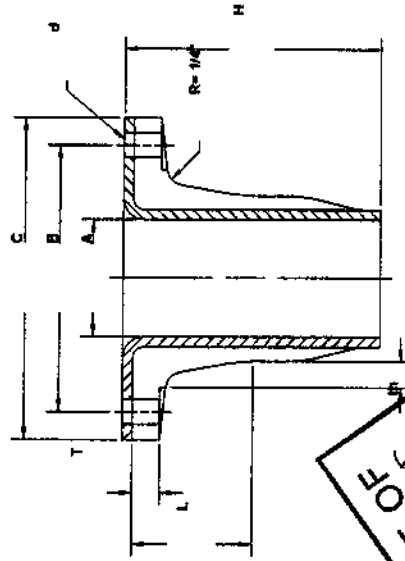


Spécifications des brides en PRF ainsi qu'en thermoplastiques renforcé de PRF
FRP and dual laminate nozzle specifications

A	B	C (FRP)	C (Dual laminate)	H	T	L	th	NB	Bolt hole diameter
(po/in)	(po/in)	(po/in)	(po/in)	(po/in)	100 psi	100 psi	100 psi		(Po)
2	4 3/4	6	6 1/2	6	9/16	2 1/4	5/16	4	3/4
3	6	8	7 1/2	6	11/16	2 3/4	3/8	4	3/4
4	7 1/2	9 1/2	8	6	13/16	3 1/8	3/8	8	3/4
6	9 1/2	11 1/2	11	8	7/8	3 1/2	7/16	8	7/8
8	11 3/4	14	13 1/2	8	1	4	1/2	8	7/8
10	14 1/4	16 1/2	16	10	1 3/16	4 3/4	9/16	12	1
12	17	19 1/2	19	10	1 7/16	5 3/4	1 1/8	12	1 1/8
14	18 3/4	21 1/2	21	12	1 1/2	6	3/4	12	1 1/8
16	21 1/4	24	23 1/2	12	1 5/8	6 1/2	13/16	16	1 1/8
18	22 3/4	25 1/2	25	12	1 3/4	7	7/8	16	1 1/4
20	25	28	27 1/2	15	1 7/8	8 1/2	15/16	20	1 1/4
24	29 1/2	32	31 1/2	15	2 1/8	8 1/2	1 1/16	20	1 3/8



EXPIRES: AUG-09-2014

THIS IS PART OF
CRN 0295705
 Technical Standards & Safety Authority
 Safety Division

DESIGN TEMPERATURE: 176 OF